

Date: 14.12.21

To

The Principal,
Sri Bharathi Engineering College for Women,
Kaikkurichi,
Pudukkottai – 622 303

Forwarded to

HOD/EEG

[Signature]
14/12/21

Respected Madam,

The product - Touch Free Temperature Monitoring System that we have received earlier have satisfied us and our customers in all aspects. We come forward to make an order for affordable quantity of the same. We would like to know the appropriate expenditure.



S. Sivakumar
Mr. S. Sivakumar,
Managing Director,
Phase Acoustics.

[Signature]

Dr. S. THILAGAVATHI M.E., Ph.D.,
PRINCIPAL
SRI BHARATHI ENGINEERING
COLLEGE FOR WOMEN
Kaikkurichi - 622 303, Pudukkottai Dt.



SRI BHARATHI ENGINEERING COLLEGE FOR WOMEN

(Approved by AICTE, New Delhi and Affiliated to Anna University, Chennai)

Pudukkottai - Aranthangi Road,

Kaikkurichi, Pudukkottai - 622 303.

To

Date : 22/12/2021

Phase Acoustics
5, Teachers Colony, Rishiram Nagar,
Subramaniapalayam,
Coimbatore - 641029
Tamil Nadu.

Greetings Sri Bharathi Engineering College for Women, Kaikkurichi,
Pudukkottai 622 303.

Sub: Quotation for Touch Free Temperature Monitoring System - Reg

With reference to your letter dated 14.12.2021, regarding the supply of the Touch-Free Temperature Monitoring System, we have enclosed the official Quotation for your consideration. We eagerly await your response and remain available to initiate the next steps at your convenience.

Thanking you

Sl. No.	Particulars	Quantity	Rate	Amount in Rs
1.	Touch Free Temperature Monitor System	50	1900	95,000
			Total Payable	95,000
In Words: Ninety-Five Thousand only				

PROJECT INVESTIGATOR

B-PRIYA, AP/EEE

Dr. S.THILAGAVATHI M.E., Ph.D

PRINCIPAL

SRI BHARATHI ENGINEERING
COLLEGE FOR WOMEN

PRINCIPAL

SRI BHARATHI ENGINEERING
COLLEGE FOR WOMEN

KAIKKURICHI - 622 303,
PUDUKKOTTAI DISTRICT

Ph: 04322 - 242768 - 242769 - 242770, Mobile: 99432 28029, 97509 28029

website : www.sbec.edu.in e-mail : sribharathienggcollege@gmail.com



Date: 30.12.2021

From

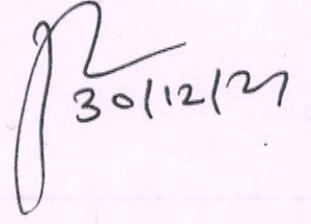
Phase Acoustics,
5, Teachers Colony,
Rishiram Nagar,
Subramaniapalayam,
Coimbatore - 641 029
Tamil Nadu.

Hon / EEG

for necessary action
please

To

The Principal,
Sri Bharathi Engineering College for Women,
Kaikkuruchi,
Pudukkottai - 622 303


30/12/21

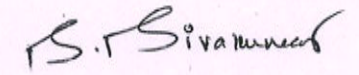
Respected Madam,

We would like to confirm the quotation that we have received from your institution for Design and Development of Touch free Temperature monitoring System and approve the endowment of Rs. 95,000 for the same. We insist to complete the work within the time frame of 60 days.



Dr. S. THILAGAVATHI M.E., Ph.D.,
PRINCIPAL
**SRI BHARATHI ENGINEERING
COLLEGE FOR WOMEN**
Kaikkuruchi - 622 303, Pudukkottai Dt.




Mr. S. Sivakumar,
Managing Director,
Phase Acoustics.



SRI BHARATHI ENGINEERING COLLEGE FOR WOMEN

(Approved by AICTE, New Delhi and Affiliated to Anna University, Chennai)

Kaikkurichi, Pudukkottai - 622 303.

DEPARTMENT OF ELECTRICAL AND ELECTRONICS ENGINEERING

PRODUCT DEVELOPMENT CONSULTANCY WORK

REPORT

Design and Development of Touch Free Temperature Monitoring System

SUBMITTED

TO

Phase Acoustics,

5, Teachers Colony, Rishiram Nagar,

Subramaniapalayam,

Coimbatore,

Tamil Nadu 641 029.

REPORT DATE: 23.2.2022

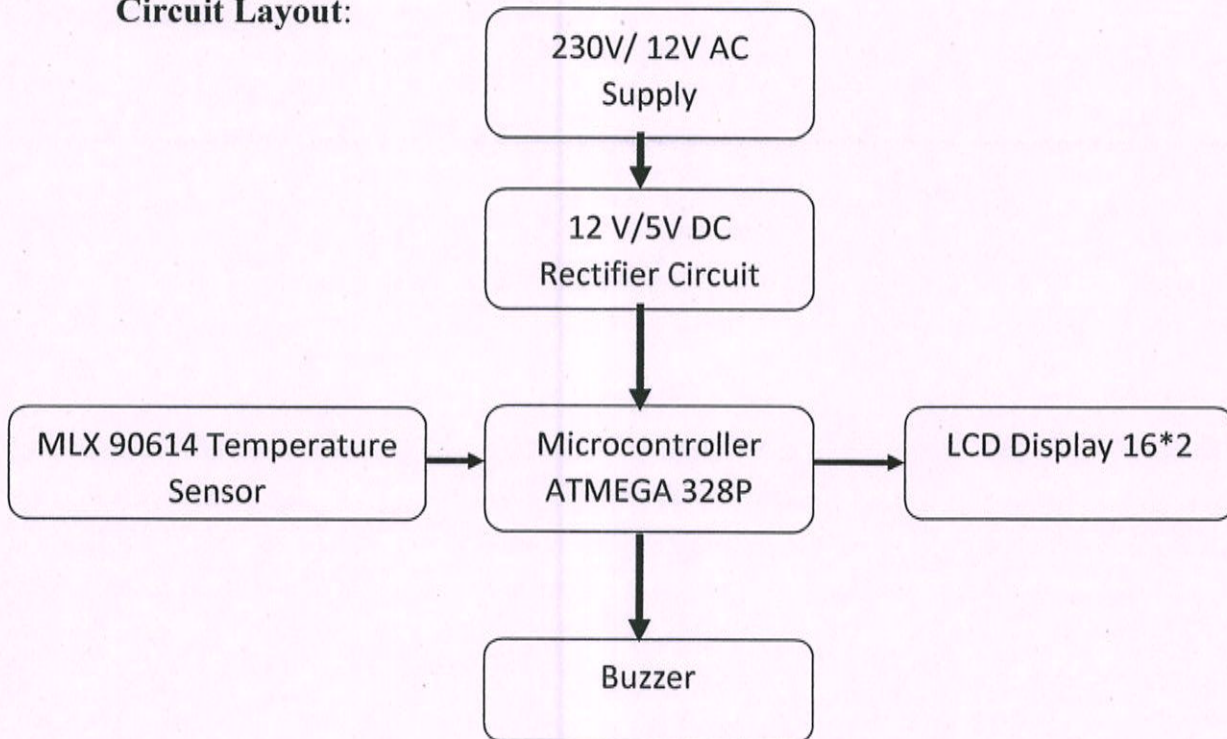

Dr. S:THILAGAVATHI M.E., Ph.D.,
PRINCIPAL
SRI BHARATHI ENGINEERING
COLLEGE FOR WOMEN
Kaikkurichi - 622 303, Pudukkottai Dt.

Touch Free Temperature Monitoring System

Objective:

Due to the fact that corona is an infectious disease that is threatening the people of the world, in this difficult period, this device called Touch free temperature monitoring system is very important to detect the body temperature without any physical contact with the person. This device is very useful where public gathering is huge like Government offices, Transportation facility centres, Hospitals, Educational Institutions, Factories etc.,

Circuit Layout:



Software Requirement: Arduino Uno IDE

Hardware Requirement:

1. Arduino Uno – Microcontroller ATMEGA 328p
2. MLX 90614
3. Step Down transformer


Dr. S.THILAGAVATHI M.E., Ph.D.,
PRINCIPAL
SRI BHARATHI ENGINEERING
COLLEGE FOR WOMEN
Kaikkurchi - 622 303, Pudukkottai Dt.

4. Rectifier

5. 16*2 LCD Display

Description:

The touch-free human body temperature monitoring system utilizes an Arduino Uno microcontroller in conjunction with the MLX90614 temperature sensor to provide accurate and contactless temperature readings. This innovative solution ensures hygiene and safety by eliminating the need for physical contact, making it ideal for health screenings in public spaces. The MLX90614 sensor employs infrared technology to measure body temperature with precision and reliability. The Arduino Uno processes the data and can trigger alarms or display temperature readings on a screen. This system is crucial for pandemic control, allowing non-invasive temperature checks while minimizing the risk of infection transmission.

Cost Estimation:

Sl. No	Description	Cost
1.	Arduino Uno – Microcontroller ATMEGA 328p	680
2.	MLX 90614	540
3.	Step Down transformer	120
4.	Rectifier	10
5.	16*2 LCD Display	250
	Design Cost	300
	Total	1900

Cost Per Product: Rs. 1900 -/.

Number of Products Delivered: 50

Total Cost of the Project: Rs. 95,000 -/.

Sanctioned Grant: Rs. 95,000 -/.

PROJECT INVESTIGATOR

B. PRIYA AP/EEE

Dr. S. THILAGAVATHI M.E., Ph.D.
PRINCIPAL
SRI BHARATHI ENGINEERING
COLLEGE FOR WOMEN
Kaikkurchi - 622 303, Pudukkottai Dt.

PRINCIPAL

SRI BHARATHI ENGINEERING
COLLEGE FOR WOMEN
KAIKKURICHI - 622 303.
PUDUKKOTTAI DISTRICT



SRI BHARATHI ENGINEERING COLLEGE FOR WOMEN

(Approved by AICTE, New Delhi and Affiliated to Anna University, Chennai)
Pudukkottai - Aranthangi Road,
Kaikkurichi, Pudukkottai - 622 303.

Date : 23.02.2022

Utilization Certificate

Certified that the amount of rupees Rs.95,000(Ninety Five thousand only) sanctioned by Phase Acoustic, Coimbatore during the academic year (2021-2022), in favour of Department of Electrical and Electronics Engineering Sri Bharathi Engineering College for Women, Kaikkurichi, Pudukkottai has been utilized for product development of Design and Development of Touch Free Temperature Monitoring System. The purpose of amount sanctioned has been fulfilled and delivered as per conditions of grant were satisfied.


PROJECT INVESTIGATOR

B. PRIYA, AP/EEE


PRINCIPAL

23/02/22
PRINCIPAL

**SRI BHARATHI ENGINEERING
COLLEGE FOR WOMEN
KAIKKURICHI - 622 303.
PUDUKKOTTAI DISTRICT**


Dr. S. THILAGAVATHI M.E., Ph.D.,

PRINCIPAL

**SRI BHARATHI ENGINEERING
COLLEGE FOR WOMEN
Kaikkurichi - 622 303, Pudukkottai Dt.**