

Date: 3.12.2020

To

The Principal,
Sri Bharathi Engineering College for Women,
Kaikkurichi,
Pudukkottai – 622 303

Forwarded to
HOD/EEE
3/12/20

Respected Madam,

We received your college consultancy brochure. In this regard, we would like to discuss the possibility of a 'Design and Development of Touch-Free Temperature Monitoring System' with your consultancy team. We would like to know the appropriate expenditure for the same.



S. Sivakumar
Mr. S. Sivakumar,
Managing Director,
Phase Acoustics.


Dr. S. THILAGAVATHI M.E., Ph.D.,
PRINCIPAL
SRI BHARATHI ENGINEERING
COLLEGE FOR WOMEN
Kaikkurichi - 622 303, Pudukkottai Dt.



SRI BHARATHI ENGINEERING COLLEGE FOR WOMEN

(Approved by AICTE, New Delhi and Affiliated to Anna University, Chennai)

Pudukkottai - Aranthangi Road,

Kaikkurichi, Pudukkottai - 622 303.

Date : 14.12.2020

To

Phase Acoustics
5, Teachers Colony, Rishiram nagar,
Subramaniapalayam,
Coimbatore,
Tamil Nadu 641 029

Dear Sir/Madam,

Greetings from Sri Bharathi Engineering College for Women, Kaikkurichi,
Pudukkottai 622 303.

Sub: Quotation for Design and Development of Touch Free Temperature
Monitoring System – Reg.

With reference to your letter dated 03.12.2020, regarding the
Design and Development of the Touch-Free Temperature Monitoring System,
and subsequent in-depth discussions, we hereby submit the official Quotation
for your consideration and reply.

Thanking you

Sl. No.	Particulars	Quantity	Rate	Amount in Rs
1.	Touch Free Temperature Monitor System	40	1900	76,000
			Total Payable	76,000
In Words: Seventy-Six Thousand only				

B. Priya
PROJECT INVESTIGATOR

B. PRIYA, AP/EEE

[Signature]
Dr. S. THILAGAVATHI M.E., Ph.D.,
PRINCIPAL
SRI BHARATHI ENGINEERING
COLLEGE FOR WOMEN
Kaikkurichi - 622 303, Pudukkottai Dt.

[Signature]
PRINCIPAL

PRINCIPAL
SRI BHARATHI ENGINEERING
COLLEGE FOR WOMEN
KAIKKURICHI - 622 303.
PUDUKKOTTAI DISTRICT

Date: 29.12.2020

From

Phase Acoustics,
5, Teachers Colony,
Rishiram Nagar,
Subramaniapalayam,
Coimbatore - 641 029

To

The Principal,
Sri Bharathi Engineering College for Women,
Kaikkuruchi,
Pudukkottai - 622 303

Respected Madam,

We would like to confirm the quotation that we have received from your institution for Design and Development of Touch free Temperature monitoring System and approve the endowment of Rs. 76,000 for the same. We insist to complete the work within the time frame of 60 days.

ITD / EGG

Necessary action
may please be
taken to complete the
work within the time schedule.



S. Sivakumar
Mr. S. Sivakumar,
Managing Director,
Phase Acoustics.

Dr. S. THILAGAVATHI M.E., Ph.D.,
PRINCIPAL
SRI BHARATHI ENGINEERING
COLLEGE FOR WOMEN
Kaikkuruchi - 622 303, Pudukkottai Dt.



SRI BHARATHI ENGINEERING COLLEGE FOR WOMEN

(Approved by AICTE, New Delhi and Affiliated to Anna University, Chennai)

Kaikkurichi, Pudukkottai - 622 303.

DEPARTMENT OF ELECTRICAL AND ELECTRONICS ENGINEERING

PRODUCT DEVELOPMENT CONSULTANCY WORK

REPORT

Design and Development of Touch Free Temperature Monitoring System

SUBMITTED

TO

Phase Acoustics,

5, Teachers Colony, Rishiram Nagar,

Subramaniapalayam,

Coimbatore,

Tamil Nadu 641 029.

REPORT DATE: 8.3.2021

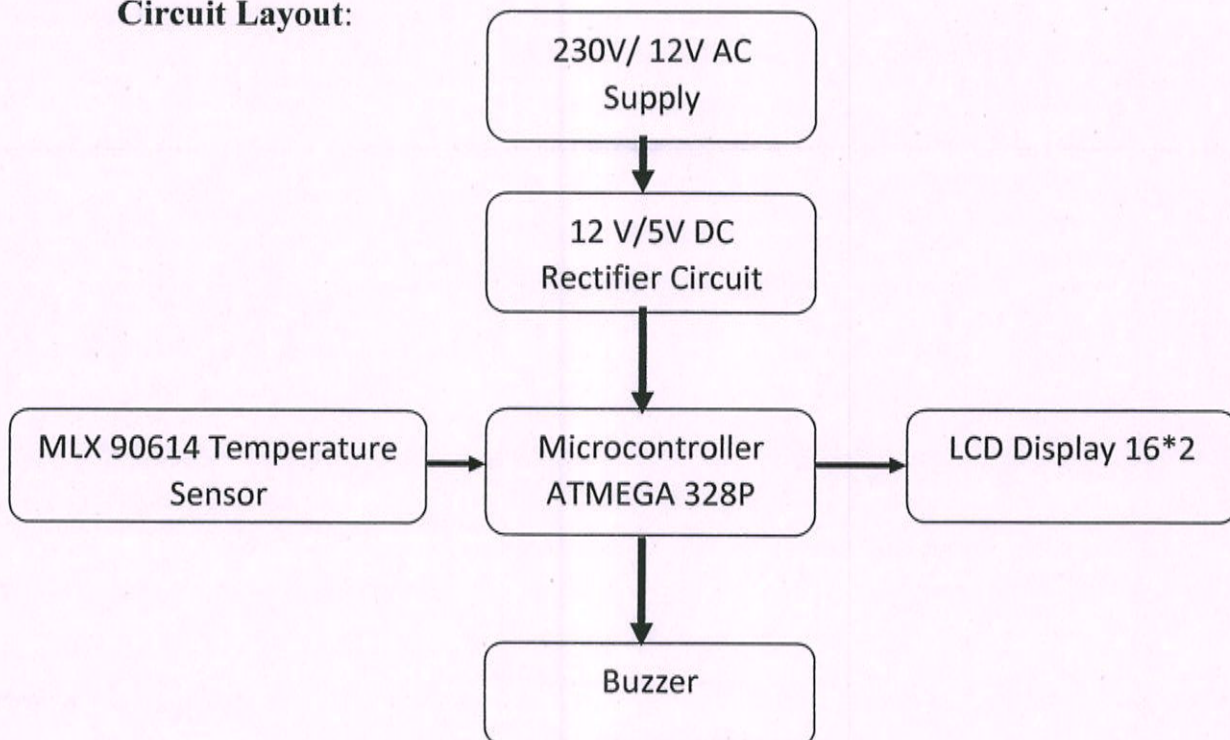
Dr. S.THILAGAVATHI M.E., Ph.D.,
PRINCIPAL
SRI BHARATHI ENGINEERING
COLLEGE FOR WOMEN
Kaikkurichi - 622 303, Pudukkottai Dt.

Design and Development of Touch Free Temperature Monitoring System

Objective:

Due to the fact that corona is an infectious disease that is threatening the people of the world, in this difficult period, this device called Touch free temperature monitoring system is very important to detect the body temperature without any physical contact with the person. This device is very useful where public gathering is huge like Government offices, Transportation facility centres, Hospitals, Educational Institutions, Factories etc.,

Circuit Layout:



Software Requirement: Arduino Uno IDE

Hardware Requirement:

1. Arduino Uno – Microcontroller ATMEGA 328p
2. MLX 90614
3. Step Down transformer



Dr. S. THILAGAVATHI M.E., Ph.D.,
PRINCIPAL
SRI BHARATHI ENGINEERING
COLLEGE FOR WOMEN
Kaikkurchi - 622 303, Pudukkottai Dt.

4. Rectifier

5. 16*2 LCD Display

Description:

The touch-free human body temperature monitoring system utilizes an Arduino Uno microcontroller in conjunction with the MLX90614 temperature sensor to provide accurate and contactless temperature readings. This innovative solution ensures hygiene and safety by eliminating the need for physical contact, making it ideal for health screenings in public spaces. The MLX90614 sensor employs infrared technology to measure body temperature with precision and reliability. The Arduino Uno processes the data and can trigger alarms or display temperature readings on a screen. This system is crucial for pandemic control, allowing non-invasive temperature checks while minimizing the risk of infection transmission.

Cost Estimation:

Sl. No	Description	Cost
1.	Arduino Uno – Microcontroller ATMEGA 328p	680
2.	MLX 90614	540
3.	Step Down transformer	120
4.	Rectifier	10
5.	16*2 LCD Display	250
	Design Cost	300
	Total	1900

Cost Per Product: Rs. 1900 -/.

Number of Products Delivered: 40

Total Cost of the Project: Rs. 76,000 -/.

Sanctioned Grant: Rs. 76,000 -/.


PROJECT INVESTIGATOR

B. PRIYA, ARIEEE


Dr. S. THILAGAVATHI M.E., Ph.D.,

PRINCIPAL

**SRI BHARATHI ENGINEERING
COLLEGE FOR WOMEN
Kaikkurchi - 622 303, Pudukkottai Dt.**


PRINCIPAL

PRINCIPAL

**SRI BHARATHI ENGINEERING
COLLEGE FOR WOMEN
KAIKKURICHI - 622 303.
PUDUKKOTTAI DISTRICT**



SRI BHARATHI ENGINEERING COLLEGE FOR WOMEN

(Approved by AICTE, New Delhi and Affiliated to Anna University, Chennai)
Pudukkottai - Aranthangi Road,

Kaikkurichi, Pudukkottai - 622 303.

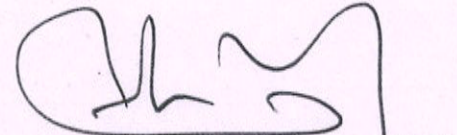
Date : ...8/3/2021...

Utilization certificate

Certified that the amount of rupees Rs.76,000 (Seventy Six thousand only) was sanctioned by Phase Acoustics, Coimbatore during the academic year (2020 - 2021), in favour of Department of Electrical and Electronics Engineering Sri Bharathi Engineering College for Women, Kaikkurichi, Pudukkottai has been fully utilized for product development of Design and Development of Touch Free Temperature Monitoring System. The purpose of amount sanctioned has been fulfilled and delivered as per conditions of grant were satisfied.


PROJECT INVESTIGATOR

B. PRIYA, AP/EEE


PRINCIPAL 08/03/21

PRINCIPAL

SRI BHARATHI ENGINEERING
COLLEGE FOR WOMEN
KAIKKURICHI - 622 303.


Dr. S. THILAGAVATHI M.E., Ph.D., PUDUKKOTTAI DISTRICT

PRINCIPAL

SRI BHARATHI ENGINEERING
COLLEGE FOR WOMEN
Kaikkurichi - 622 303, Pudukkottai Dt.

Ph: 04322 - 242768 Mobile: 99422 28029, 97509 28029

website : www.sbec.edu.in e-mail : sribharathienggcollege@gmail.com